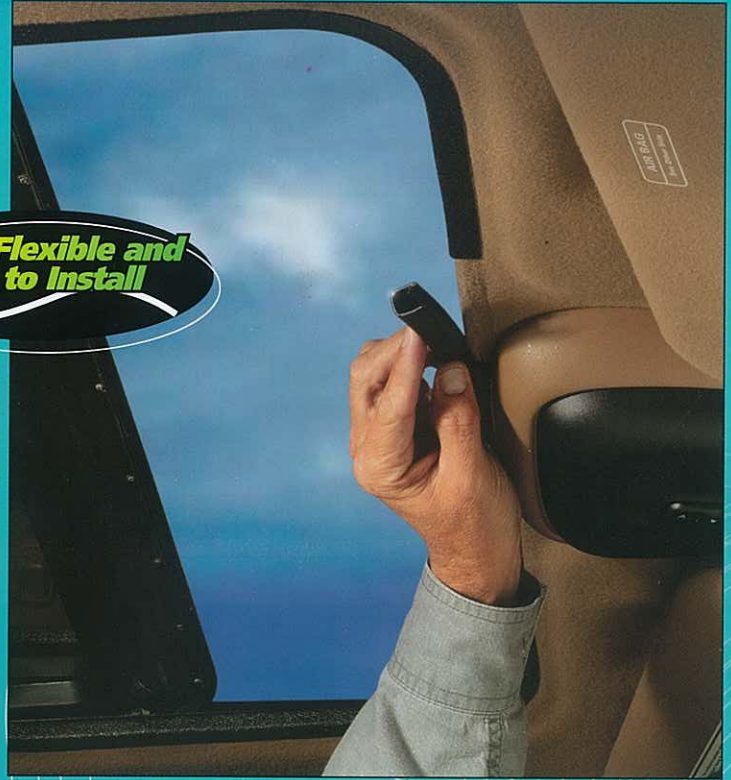


Regular Trim is a flexible PVC trim with individual internal metal clips and gripping tongue to provide a stronger grip

Individual Metal Clips Retain a Permanent Grip

Strong Gripping Tongue

Very Flexible and Easy to Install



Trims Available to Fit Almost any Edge Thickness

Many Applications

- Van Doors
- Boats
- Forklifts
- Golf Carts
- Helmets
- Truck Cabs
- Fiberglass
- Computer Cabinets
- Tractor Cabs
- Riding Mowers
- Machinery Guards
- Sheet Metal
- Playground Equipment

Product Specifications:

Recommended temperature range for general applications: -20°F. through +150°F.

Outer Coating Material:

Vinyl (PVC), Hardness: 85 Durometer (Shore A)

Internal Clip Material:

Aluminum or Steel

Flammability & Code

Compliance:

Vinyl: FMVSS 302
FAA/FAR 23.853
UL 50
UL 844

			1 TRIM SERIES							
3	4		1/64"	1/32"	1/16"	5/64"	3/32"	1/8"	5/32"	
Trim Color	Texture	Clip	0.016"	0.031"	0.063"	0.078"	0.094"	0.125"	0.156"	
W	1=Coarse Pebble 7=Sand	Alum.								
B	3=Pebble 7=Sand		62-1/64	62-1/32	62-1/16	62-5/64	62-3/32			
W	1=Coarse Pebble 7=Sand	Alum.								
B	3=Pebble 7=Sand			75-1/32	75-1/16	75-5/64	75-3/32	75-1/8		
B	2=Leather	Alum.								
			750-1/32	750-1/16	750-5/64	750-3/32	750-1/8			
W	1=Coarse Pebble 7=Sand	Alum. Steel								
B	3=Pebble 7=Sand				100-1/16	100-5/64	100-3/32	100-1/8	100-5/32	
T	1=Coarse Pebble 7=Sand									
W	2=Leather	Alum.								
B	2=Leather				150-1/16	150-5/64	150-3/32	150-1/8	150-5/32	
B	3=Pebble	Alum.								
				200-1/16	200-5/64	200-3/32	200-1/8	200-5/32		
B	3=Pebble 7=Sand	Steel								
							1200-1/8	1200-5/32		
W	3=Pebble 7=Sand	Alum.								
B	3=Pebble 7=Sand									
T	3=Pebble 7=Sand						1375-1/8	1375-5/32		



Custom materials and capabilities

- Fire Retardant PVC, UL 94 VO Rated
- TPE/TPR
- Kerosene Resistant TPE
- Butyl Adhesive Sealant
- Minimums Apply

HOW TO ORDER

- 1 Determine **THICKNESS** of your material using column... 1
- 2 Select the proper **TRIM SERIES** to correspond with the flange length of your material using column... 2
- 3 Select available **COLOR**, using column... 3
- 4 Select type of **TEXTURE** using column... 4
- 5 Determine **ORDER QUANTITY** in 250 foot increments

Part Number Example

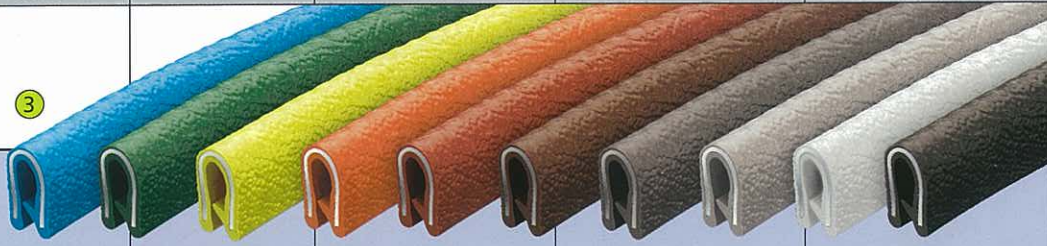
2 Trim Series
3 Trim Color
100 B 3 X 1/8
Trim Texture 4 1 Edge Thickness

B =black T =tan W =white

PROFILES-THICKNESS

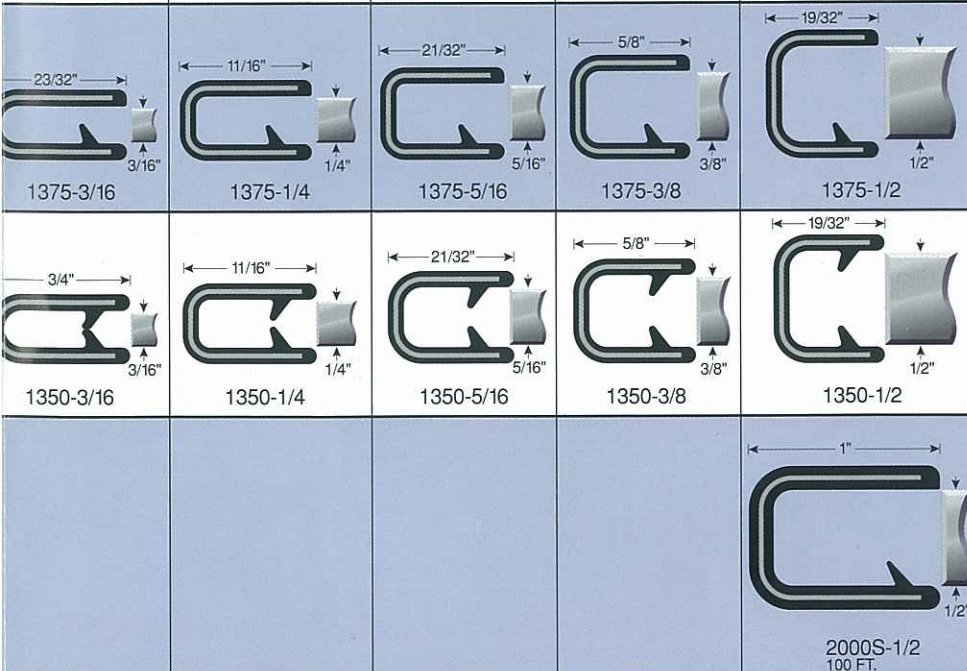
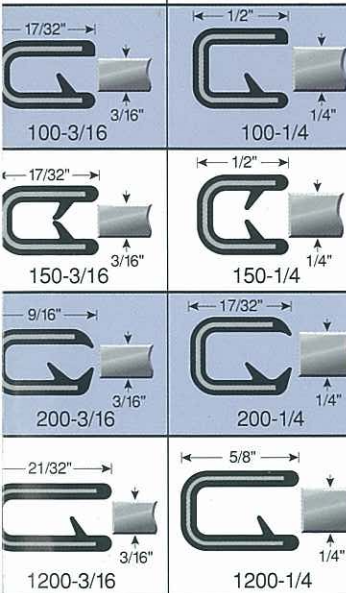
3/16"	1/4"	5/16"	3/8"	1/2"	5/8"	3/4"
0.188"	0.250"	0.313"	0.375"	0.500"	0.625"	0.750"

Texture examples



BL=blue GN=green YL=yellow OR=orange CH=red T=tan G=gray LG=light gray W=white B=black

Available in a variety of colors
Minimums apply



90° Miter Tool

See page 31

All profile illustrations are shown at full size