

Rubber Seals

Profiles & Dimensions

Beatrice Products 022 1808 119

Handheld Roller

To provide application pressure
See page 31

Selected Rubber-Seals Available in Off-White and all parts can be ordered

<p>X-105 Dual 500 ft.</p>	<p>X-202 Dual 500 ft.</p>	<p>X-101 Dual 500 ft.</p>	<p>X-5381 250 ft.</p>	<p>X-1458 Dual 200 ft.</p>	<p>X-1678 125 ft.</p>	<p>X-5272 125 ft.</p>
<p>X-1333 Dual 500 ft.</p>	<p>X-1153 Dual 500 ft.</p>	<p>X-1543 500 ft.</p>	<p>X-110 500 ft.</p>	<p>X-109 Dual 500 ft.</p>	<p>X-108 Dual 500 ft.</p>	<p>X-1568 Dual 500 ft.</p>
<p>X-112 500 ft.</p>	<p>X-114 500 ft.</p>	<p>X-376 Dual 500 ft.</p>	<p>X-402 250 ft.</p>	<p>X-403 125 ft.</p>		
<p>Rubber Seal Warranty</p> <p>Please Note: Due to a constant effort to update our Rubber Seal products, specifications are subject to change without notice and without incurring obligation. Because we cannot anticipate or control the many different conditions which this information and our products may be used, Trim-lok does not guarantee the applicability, accuracy or the suitability of our products in any given situation. Users of our products should conduct their own tests to determine the suitability of each product for their particular application. The products described here are sold without warranty either expressed or implied and the buyer assumes all responsibility for loss or damage arising from the handling and use of our products.</p>			<p>X-589 125 ft.</p>	<p>X-2452 50 ft.</p>		

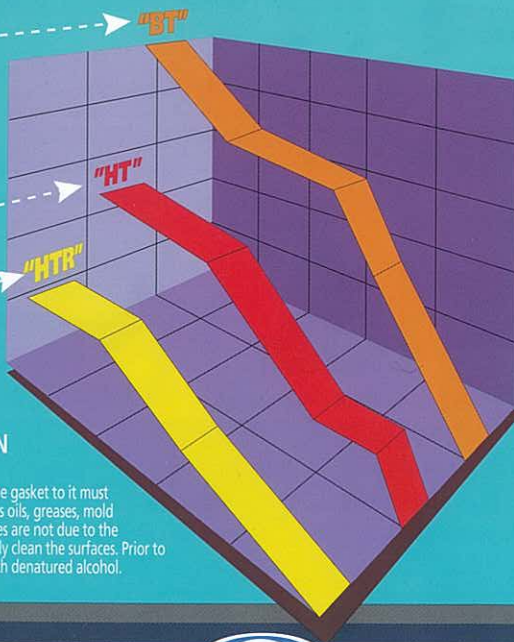
Tape Systems

CHOOSE THE TAPE THAT FITS YOUR NEEDS

"BT" ULTIMATE BOND
RUBBER TO SUBSTRATE
Highest Peel & Shear Strength
Best Heat Performance
Moisture Barrier

"HT" Acrylic Based
Good Heat Performance
Medium Initial Tack

"HTR" Rubber Based
Poor Heat Performance
High Initial Tack



CLEANING AND APPLICATION INSTRUCTIONS

Regardless of what bonding surface you apply the gasket to it must be clean and free of surface contaminants such as oils, greases, mold releases and dirt in general. Most bonding failures are not due to the adhesive failing but instead the failure to properly clean the surfaces. Prior to applying any of these adhesives clean surface with denatured alcohol.

ADHESIVE OPTIONS

"HTR" HIGH TACK PRESSURE SENSITIVE

This rubber based adhesive is best when used to hold the rubber or compressed between two stationary objects. HTR has better surfaces such as polpropylene and poethelyne. Heat limitation: Please Note: During application ambient temperature

"HT" STANDARD PRESSURE SENSITIVE

This acrylic based adhesive is best when used to hold the rubber or compressed between two stationary objects. May be used in variety of substrates. Good heat performance -20F to +158F. Please Note: During application ambient temperature

"BT" 3M™ BONDED TAPE SYSTEM

The ultimate bond to the rubber and the ultimate bond to the and substrate. Highest peel and shear resistance, can be used to re-positioning during installation and needs 72 hours of cure time

ADHESIVE LAYERED EXAMPLE

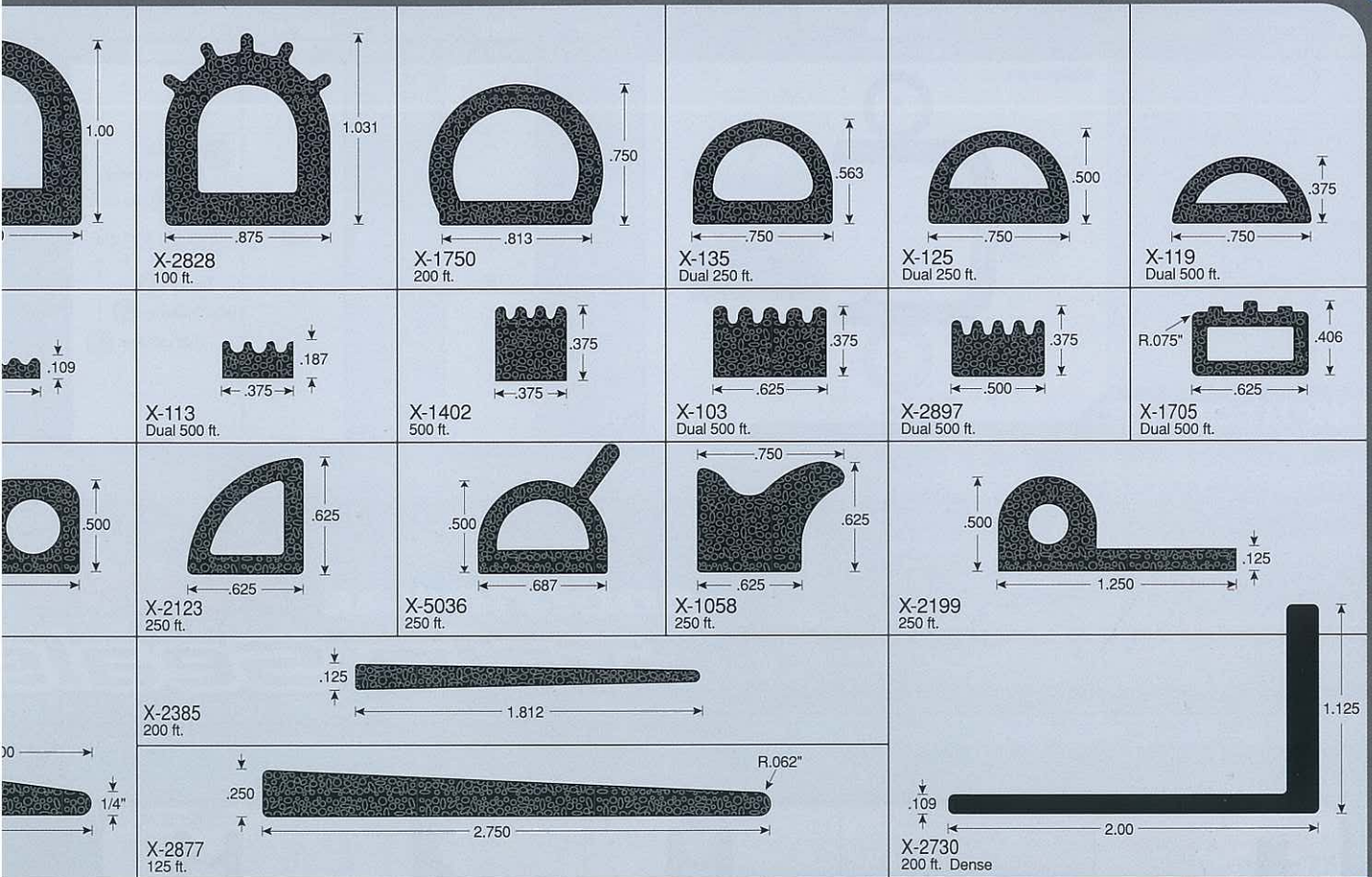
"HTR"



"HT"



without tape on request



ADHESIVE

in place while installing in static applications
back as well as adhering to some difficult bond
to +130F.
must be above 60° F

ADHESIVE

in place while installing in a static application
light duty dynamic applications against a
must be above 60° F

ate. Creates a moisture barrier and air tight seal between rubber
high loads of stress and force. Has low initial tack for easy
ome to full bond strength. Good heat performance -20F to +158F



Part Number Example

1 Rubber Seal Profile

X105 BT

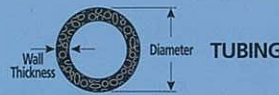
2 Tape System



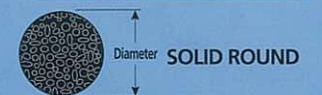
Part#	'A' Dim.
X-268	.25



Part#	'A' Dim.	'B' Dim.
X-272	.25	.50
X-273	.38	.50
X-274	.25	.75
X-275	.50	.75
X-1450	.75	.125
X-1449	.75	.375



Part#	Diameter	Wall Thickness
X-310	.236	.031
X-311	.276	.035
X-313	.375	.050
X-315	.438	.058
X-317	.625	.078
X-319	.750	.093
*X-321	1.0	.125

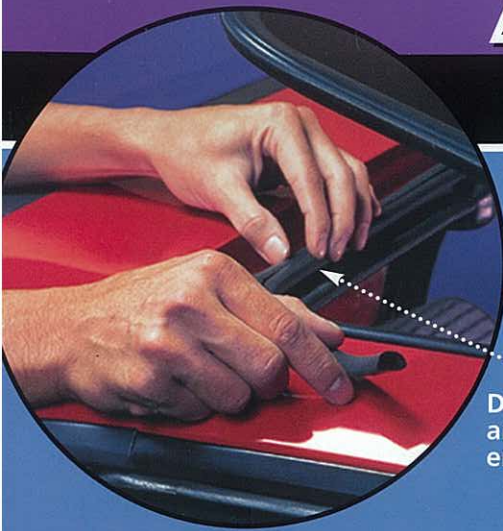


Part#	Diameter
X-301	.25
X-303	.38
X-305	.50

* These parts sold in 500 foot increments except X-321 (125ft.)

All profile illustrations are approximately full size and are for reference only.

Rubber Seals®



Rubber-Seals come in a variety of specially designed shapes, made from custom formulated E.P.D.M. sponge rubber compound.

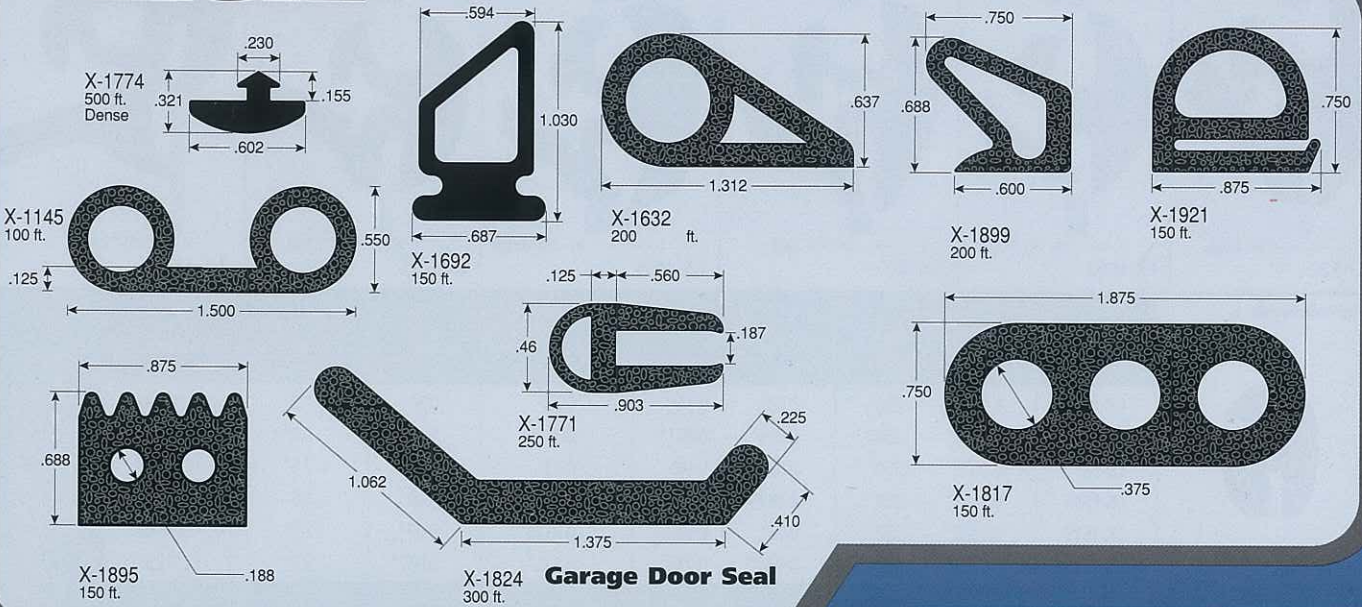
Durable and highly resistant to numerous environmental conditions.



Pressure Sensitive Adhesive Tape

Peel-Off Liner

New



Many Applications

- Storage Compartments
 - Boat Hatches
 - Sunroofs
 - Cabinets
 - Exterior Doors
 - Skylights
 - Windows
 - Campers
- Tool Boxes for Pickups
 - Cargo Doors for RV's
 - ...many more



Product Specifications:
 Recommended temperature range for general applications: -20°F. through +150°F.
 Sponge Rubber (EPDM)

Compression:
 For optimum performance - 25% maximum compression recommended.

Resistance Ratings:
 Excellent resistance to water absorption, ozone, sunlight aging, low temperature, and compression set.

Flammability and Code Compliance:
 FMVSS 302
 UL 50